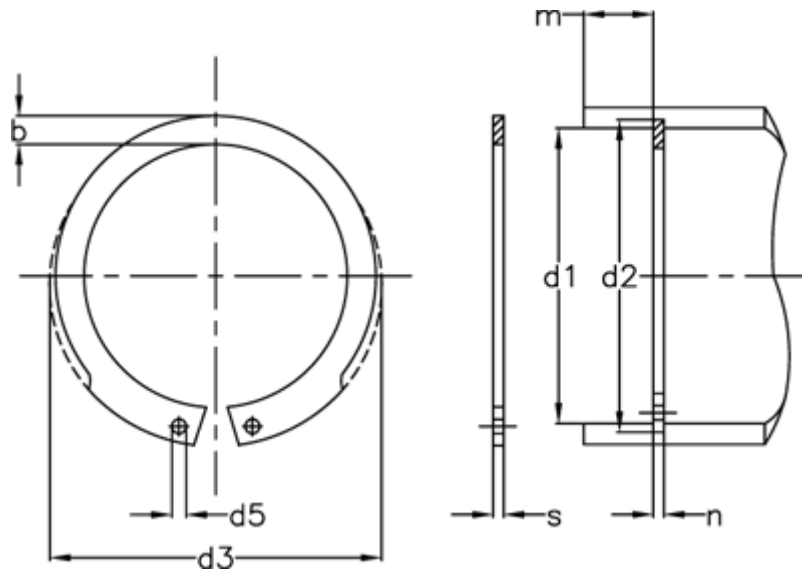


Article number: 0106095

Description: Retaining ring JV 95

## Measures



AN mm <sup>2</sup>	= 264	FRg kN	= 3.0	tol	= 0.3
b	= 7.4	FR kN	= 168.0	tol	= -0.08
d1	= 95	g	= 3.0	tol	= +0,31-0,54
d2	= 98.5	K kN-mm	= 315.0	tol	= +0,35
d3	= 100.5	m min	= 3.15	Tong	= ZGJ-3
d5 min	= 3.0	Nominal drive	= 5.3	Weight kg/1000	= 37.50
Description	= JV 95	s	= 3.00		
FN kN	= 43.50	t	= 1.75		